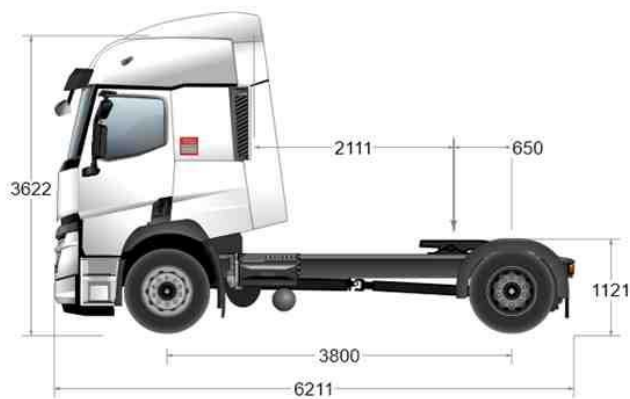


Model code : ECT_11MA036STD00
Print date: 17/06/2023
Last updated: 17/06/2023

RENAULT TRUCKS T T4X2 13L E6 - GVW 19T / GCW 44 T

RENAULT TRUCKS



WEIGHTS

Wheelbase		mm	3.800
Maximum Weight (registered)	Total (GVW)	Kg	19000
Payload	(C)	Kg	10464
Maximum Weight (registered)	Front axle 1	Kg	7500.00
	rear axle 1	Kg	13000
Min. weight complete vehicle unladen	Front axle(s)	Kg	5772.00
Kerb Weight	total	Kg	8536
Chassis cab kerb weight	Front Axle 1	Kg	5714.00
	Rear Axle 1	Kg	2822.00
Total vehicle weight under full load at YMIN	Front axle(s)	Kg	
	Rear axle(s)	Kg	
Total vehicle weight under full load at YMAX	Front axle(s)	Kg	
	Rear axle(s)	Kg	

This table includes the weights of the RENAULT TRUCKS options: full urea tank, oil, screen wash fluid and coolant at 100%, fuel fill level 90% and driver present (75 kg)

To maintain the driving comfort (lightness of steering, braking) of vehicles in all load and driving conditions once the vehicle is bodied, the following minimum axle load(s) must be respected: A value corresponding to 29% of the weight of the unladen bodied vehicle kerb weight (with driver, without passenger)

LENGTHS

Wheelbase		mm	3.800
Front Overhang	(H / BEP L016)	mm	1365
Wheelbase	(F / BEP L011)	mm	3800
Rear overhang	Chassis, overall (BEP L017)	mm	1046



Centre of Gravity of vehicle	at X (BEP L044)	mm	1267.00
Overall Chassis Length	(A / BEP L001)	mm	6211

HEIGHTS

Wheelbase		mm	3.800
Ground clearance, laden	Front (U1 / BEP H015)	mm	225
	Rear (U3 / BEP H016)	mm	212
Max. exterior height unladen	(BEP H001)	mm	3907
Max. exterior height, cab tilted, unladen	(O1 / BEP H061)	mm	4370.00
Cab height (unladen)	(O)	mm	3622
Distance from ground to lowest point at front of vehicle	Unladen (H0 / BEP H18)	mm	333.00
	Laden (H0 / BEP H18)	mm	281.00
Frame top height at front axle	Unladen (H1 / BEP H035)	mm	961.00
	Laden (H1 / BEP H036)	mm	916.00
Frame top height at drive axle	Unladen (H2 / BEP H037)	mm	954
	Laden (H2 / BEP H038)	mm	931
Frame top height at the rear of the frame	Unladen (HN)	mm	952.00
	Laden (HN)	mm	935.00
Centre of Gravity of vehicle	Unladen at Z (BEP H044)	mm	910.00
Side member height	(BEP H032)	mm	266.00

TOWING DEVICE

Wheelbase		mm	3.800
Distance between the front of the vehicle and the centre of the trailer coupling device	(BEP L073 + L016)	mm	4515.00
Distance between centre of last axle to centre of coupling device		mm	
Fifth wheel height, from top of side member	(BEP H074 + H071)	mm	166.00
Fifth wheel height from ground	Unladen (BEP H076)	mm	1121
	Laden (BEP H078)	mm	1095
Swept Swing Clearance	(BEP L078)	mm	2111.00
Fifth wheel position	Max. (Ymax / BEP L075)	mm	850
Gross Vehicle Weight	at YMAX	Kg	19000.00
Gross Vehicle Weight, load on front axle(s)	at YMAX	Kg	7500.00
Gross Vehicle Weight, load on rear axle(s)	at YMAX	Kg	11500.00
King Pin Load	at YMAX	Kg	10464.00
King Pin Load on Front Axle(s)	at YMAX	Kg	1786.00
King Pin Load on RearAxle(s)	at YMAX	Kg	8678.00
Fifth wheel position	Min. (Ymin / BEP L077)	mm	150
Gross Vehicle Weight	at YMIN	Kg	19000.00
Gross Vehicle Weight, load on front axle(s)	at YMIN	Kg	6000.00
Gross Vehicle Weight, load on rear axle(s)	at YMIN	Kg	13000.00
King Pin Load	at YMIN	Kg	10464.00
King Pin Load on Front Axle(s)	at YMIN	Kg	286.00
King Pin Load on RearAxle(s)	at YMIN	Kg	10178.00
Fifth wheel position	Manufacturer's recommendation (Y / BEP L076)	mm	650
Gross Vehicle Weight	in fifth wheel position recommended by manufacturer	Kg	18977.00
Gross Vehicle Weight, load on front axle(s)	in fifth wheel position recommended by manufacturer	Kg	7500.00
Gross Vehicle Weight, load on rear axle(s)	in fifth wheel position recommended by manufacturer	Kg	11477.00
King Pin Load	in fifth wheel position recommended by manufacturer	Kg	10441.00
King Pin Load on Front Axle(s)	in fifth wheel position recommended by manufacturer	Kg	1786.00
King Pin Load on RearAxle(s)	in fifth wheel position recommended by manufacturer	Kg	8655.00
Fifth wheel position	Intermediate 1	mm	600.00
Gross Vehicle Weight	in intermediate fifth wheel position 1	Kg	19000.00
Gross Vehicle Weight, load on front axle(s)	in intermediate fifth wheel position 1	Kg	7366.00

Gross Vehicle Weight, load on rear axle(s)	in intermediate fifth wheel position 1	Kg	11634.00
King Pin Load	in intermediate fifth wheel position 1	Kg	10464.00
King Pin Load on Front Axle(s)	in intermediate fifth wheel position 1	Kg	1652.00
King Pin Load on RearAxle(s)	in intermediate fifth wheel position 1	Kg	8812.00
Fifth wheel position	Intermediate 2	mm	550.00
Gross Vehicle Weight	in intermediate fifth wheel position 2	Kg	19000.00
Gross Vehicle Weight, load on front axle(s)	in intermediate fifth wheel position 2	Kg	7229.00
Gross Vehicle Weight, load on rear axle(s)	in intermediate fifth wheel position 2	Kg	11771.00
King Pin Load	in intermediate fifth wheel position 2	Kg	10464.00
King Pin Load on Front Axle(s)	in intermediate fifth wheel position 2	Kg	1515.00
King Pin Load on RearAxle(s)	in intermediate fifth wheel position 2	Kg	8949.00
Sliding fifth wheel	front fork	mm	
	rear yoke	mm	

WIDTHS

Wheelbase		mm	3.800
Max exterior cab width with rear view mirrors open	(BEP W001)	mm	2980.00
Max. cab width	(BEP W002)	mm	2534
Frame width	Front (BEP W035)	mm	1080
	Rear (BEP W036)	mm	850
Width at rear wheels	Rear axle 1 (V3 / BEP W003.2)	mm	2499
Track	Front (V1 / BEP W013.1)	mm	2109
	Rear 1 (V2 / BEP W013.2)	mm	1837

OTHER

Wheelbase		mm	3.800
Approach angle	(BEP H010)	°	10
Ramp angle	(BEP H012)	°	13.50
Departure angle	(BEP H011)	°	17.10
Side member thickness	(BEP W034)	mm	7.00
Turning Radius	Overall (BEP W012)	mm	7550.00
	kerb to kerb	mm	6893.00
	interior	mm	3118.00

13 ENGINE

Max. power output: 390 kW between 1431 and 1700 rpm

Max. torque: 2550 Nm from 990 rpm to 1400 rpm

6-cylinder in-line diesel engine - Common rail high-pressure fuel-injection (2000 bar) - 24 valves - overhead camshaft, rear-mounted timing

High pressure provided by three pumps on injector bodies.

Bore 131 mm - stroke 158 mm - Capacity 12.8 L

Electronically-controlled fan

Turbocharger

Direction of rotation (seen from gearbox end): anti-clockwise

Oil filter with additive

Oil service interval up to 100,000 km

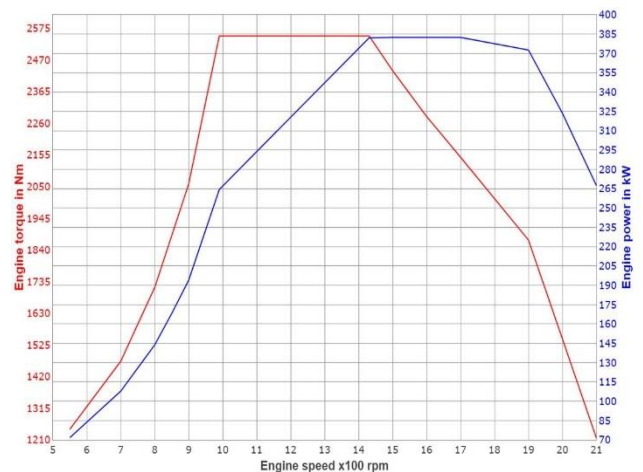
EEC EURO VI pollution control level

Compact after-treatment system (catalytic converter, DPF, SCR)

Cooling liquid

Automatic regeneration of particulate filter

Noise standard R51.03



ENGINE EQUIPMENT

Power Mode (Eco/Eco Off)
Partial gas recycling (semi-closed circuit)
Without engine Power Take Off.
Electronic speed limiter (90 km/h).

CLUTCH

Single-plate clutch, diameter 430 mm

GEARBOX

Optidriver AT 2612 gearbox (14.94 - 1) with automatic clutch.
Aluminium housing.
Max. torque 2550 Nm, 12 forward gears and 3 reverse gears.
Steering wheel-mounted operating mode selection (automatic/manual) via gear shift selector,
Gearshifting strategy optimised for FUEL ECO
Gearbox rear intermediate housing in aluminium
Gearbox oil cooler, oil/water heat exchanger

RETARDER

OPTIBRAKE+ (power rating 340 kW at 2300 rpm):
combination of the exhaust brake and valve compression
braking, coupled to service brake

POWER TAKE-OFF

Without gearbox mounted PTO

STEERING

Power steering, variable-flow hydraulic pump
Steering ratio 20:1 - Steering wheel diameter 460 mm
Driving on the right

FRONT AXLE

Axle with zero-maintenance steering knuckles
Load capacity (technical max.) Front axle: 7.5 t.

WHEELS AND TYRES

Dimension 385/55 + 315/70 R22.5
Profile M. XLINE ENERGY F (ANTISPLASH) / D2
Steel disc wheels
ISO_11992 compatible tyre pressure monitoring system
Steel front wheel trims
Spare wheel and tyre supplied loose.

REAR DRIVE AXLE

P13170-E single reduction final drive axle
Integral differential lock

Rear loading capacity (technical max.): 13 t
Drive axle ratio: 2.31
Engine speed at 90 km/h: 1120 rpm

Service brake:

Braking system with two independent circuits.
Ventilated disc brakes.
Electronic management of air production by EACU (Electronic Air Control Unit):
Dryer cartridge optimised by preventive maintenance.
Disengageable air compressor
Two line trailer braking system (ISO connections).
15-pin electrical accessories socket
Downward-facing semi-trailer connection
Trailer brake device at cab rear

EBS:

Anti-lock braking system (ABS).
Anti-slip regulation (ASR).
Brake balancing between tractor unit and trailer.
(Disc) brake pad wear compensation
Retarder and service brake linking
Differential engagement management (if equipped) at speeds <10 km/h (4x2)
Hill Start Assist
Braking performance warning
ESC (Electronic Stability Control) trajectory control and anti-rollover system
Coupling traction test
Emergency brake assist (EBA)

Parking brake:

EPB (Electronic Parking Brake) automatic parking brake, immobilization provided by spring cylinders

CAB

Cab exterior:

Sleeper Cab
All steel Cab, electro-zinc plated and cathophoretic paint treatment.
Cab paint colour: White ekla
technical code: 09350
Red badge
Aerodynamic dirt deflectors on the headlamps
4-point cab air suspension with ride-height control system
Two side doors of which one is accessible from inside the cab
2 heated, remote control rear view mirrors.
2 wide angle rearview mirrors.
Kerb view mirror.
Rear view mirrors for bodywork up to 2.55 m wide
Fold-back front view mirror
Air horn
Laminated side windows.
Spray suppression on front wings
Adjustable roof deflector
Side deflectors (left-hand opening panel)
Door extensions (step cover)
Exterior parts finished in cab colour

Wide external sun visor
Tinted, laminated windscreen.
Without rear window.

Cab interior:

Cab interior finish - Anthracite
Performance roof console, 4 storage compartments with doors including 1 with key lock, 1 storage space with net, 4 ISO modules
Drawer under bunk with document holder
Electric interior sun blind on windscreen, manual blinds on driver and passenger side windows
- 7" colour multimedia touchscreen
No reversing camera
Without tachograph calibration
Offset 24 V socket
Electrically operated roof hatch.
Mosquito net on air vent
Interior roof grab handle
Rubber insulating floor mats
LUXURY DRIVER'S SEAT:
Adjustable vertical damping
Seat squab tilt
Length and height-adjustable
Removable cover
Adjustable headrest
Seat quick-drop function with height setting memory
Seat back side support adjustment
Seat cushion side support adjustment
Adjustable lumbar support
Extendible seat squab cushion
Heating system (driver's seat)
Ventilation (driver seat)
Two driver's armrests
Red seat belts
Seat belt fastened reminder
seat squab tilt
Length-adjustable
Integral headrest
Without air suspension
Cloth fabric trim
Sérénité lower bunk: 2018mm long, 670mm wide (790mm between seats), mattress thickness: 170mm
Convertible top bunk
Mattress topper (memory foam)
Blower
Drawer under bunk with document holder
Reading lamps on overhead ledge
Direct cab lighting
Red night lighting
Cab lighting time-delay.
Curtains around cab. Curtain separating driving position from rest area.
Articulated LED lamps in bunk area
Bunk area remote control
12 V & 5 V socket (bunk)
24L refrigerator in central storage under bench, quiet with thermostat and vehicle battery management
2 storage boxes under bunk, one accessible from interior and exterior

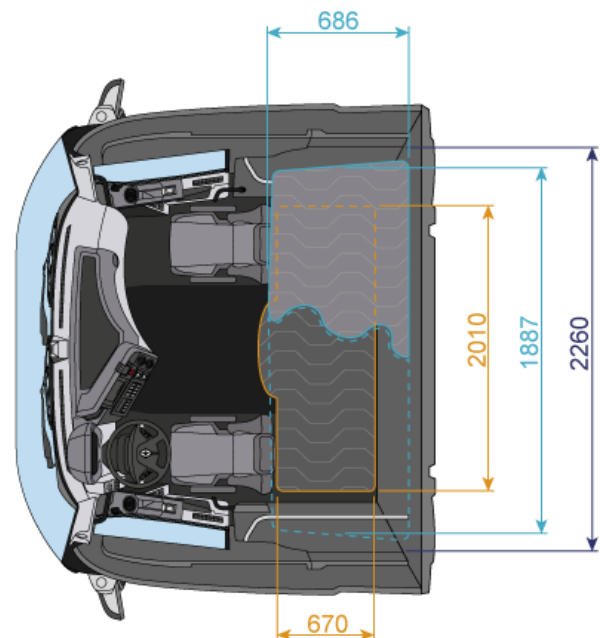
Two coat hooks on rear panel and one on passenger side
One-touch electric windows
4kW stand-alone cab heater (air/air). Air distribution via three vents (behind the left seat, behind the right seat and above the bunk)
Reinforced heat insulation
Electronic air conditioning.
Cab air filtration
No air-conditioning while parked
Log-book in Serbian.
2 loudspeakers and 2 tweeters

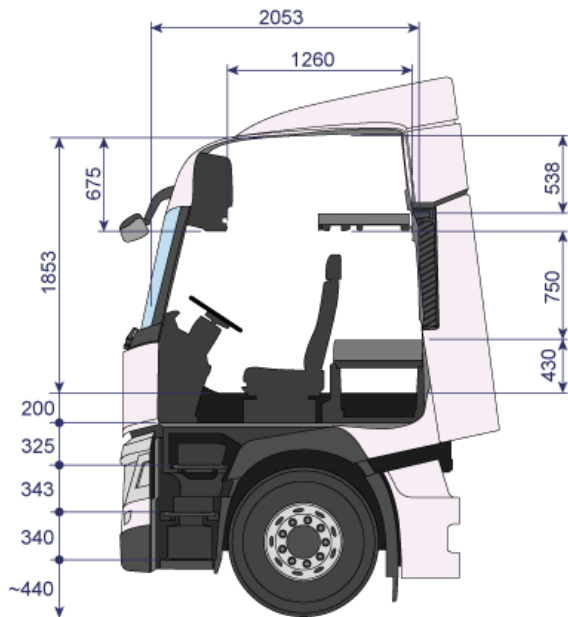
Steering wheel equipment:

Ultimate leather steering wheel
OPTIDRIVER control
OPTIBRAKE and retarder control on right-hand side
3-way adjustable steering column
ROADPAD+:
- HGV-specific TOM TOM navigation system
- FM and DAB+ radio
- USB port and jack socket
- dual Bluetooth connection

Instrument panel:

PANORAMIC dashboard
7" HD colour information display
12 V + 24 V socket on dashboard, for accessories.
Starting inhibitor controlled by transponder key.
Start button
Customer speed +5 km/h downhill
ECO Cruise control with Optiroll
Power Mode (Eco/Eco Off)
With Eco Off switch





ELECTRONIC EQUIPMENT:

English and Romanian language display
Additional language (Serbian)
 SAE cab socket for vehicle data extraction
Load per axle indicator
Toll Collect pre-equipment
FMS Gateway fleet management interface 3.0
 Assistance button for geolocation via the 24/7 platform
 4G TGW3 telematics unit (telematic gateway) including an antenna and enabling subscription to Optifleet services (Map, Check, Drive)
 TELENOR SIM card
 Lane Departure Warning System (LDWS)
 Advanced emergency braking system (AEBS)

ELECTRICAL EQUIPMENT

Batteries located in the rear overhang
 210 Ah AGM batteries
 Maintenance-free batteries
 Battery cut-out remote control
 Electrical circuit automatically goes to standby
 Battery charge indicator
 Alternator : 150 amp capacity.
 No protection on rear lights
 Rear signalling lighting.

CHASSIS

Chassis protective paintwork, mineral grey colour
 technical code: 03650
 Removable front towing cap.
 Front under-run protection.
 Closing cross member with pre-drilling for towing yoke

Low fifth wheel mounting H=16 mm
Jost 42C, 2" cast iron fifth wheel, reduced maintenance, D 152 kN
Fifth wheel position: Y = 650 mm
 Rear manwalk.
 Extension de passage de roue
 Compact road air filtration
 Rear wings with anti-spray
 Wings fitted in standard position.
 2 foldaway wheel chocks
 Side exhaust.

BUMPER - STEPS AND LIGHTING

Plastic bumper with integral spoiler
 Retractable windscreen access step in radiator grille
 Access to driving position by 3 steps
 Step lighting.
BUMPER CORNERS, CENTER, AND STEPS PAINTED IN CAB COLOR
Automatic windscreen wiping with rain sensor and automatic illumination of lights
 LED day running lights
Provision for lighting rail on roof
 White LED work light (850 lm)
 Front fog lights.
Fixed Bending Lights
 LED headlights comprising 2 modules of 5 cells:
 - 1 module with three cells for main beam (1450 lumen)
 - 1 module with two cells for dipped beam (700 lumen)
 Indicators and daytime running lights are managed by a high brightness two-tone LED strip light
 Roof beacon pre-equipment
Integrated headlamp washer

SUSPENSION

Front suspension

2-leaf front leaf springs
 Stabiliser bar

Rear suspension:

Rear air suspension.
 Suspension remote control

FUEL TANK

Main and additional aluminium tanks.
 Main fuel tank: 405 litres capacity D710 profile mounted on right
Main fuel tank: 900 litres capacity D710 profile mounted on left & with access steps
 Fuel filter heater
Anti-siphoning device
 Heavy duty sedimenter and prefilter (R90).Bleed control on dashboard.

AdBlue

112-litre AdBlue tank.
"D" profile, 710 mm diameter.
Urea tank on the right

STANDARD EQUIPMENT

Tool kit.
Jack 15t
Warning triangle.
Reversing warning buzzer, including night switch.

BODYWORK

Provision for rear loading lighting

1	2	3	4	5	6	7	8	9	10	11	12
14.94	11.73	9.04	7.09	5.54	4.35	3.44	2.70	2.08	1.63	1.27	1.00

The manufacturer reserves the right to modify the specifications above without prior notice.
Non contractual document.

For further assistance please contact Product Applications at Renault Trucks UK Limited, Wedgnock Lane , Warwick , CV34 5YA Telephone +44 (0)1926 475333.

Orange LED side marker lights with reflector
Bodybuilder connection interface

SERVICE

Optifleet:

Pre-equipment for monthly Optifleet Check: technical data reports for fuel consumption monitoring by vehicle and by driver, activation of service on request subject to monthly subscription

Pre-equipment for monthly Optifleet Map: vehicle geolocation, geofencing and route analysis. Activation of service on request subject to monthly subscription

GEARBOX RATIOS

