

# MT 1330 SL

## SERIE 2

- Lift height : 13 m
- Lift capacity : 3000 kg
- Forward reach : 9.34 m
- Torque convertor transmission
  - Hydraulic stabilizers
  - Frame levelling



MANISCOPIE



PERKINS ENGINE 1000 SERIES CONFORMS TO EUROPEAN DIRECTIVE 97/68/EEC



**MANITOU**

## MT 1330 SL



**Lifting capacity** ..... 3000 kg  
at 500 mm from forks heels.  
Tipping load at maximum reach : .....1113 kg  
Tear out force with toothed digging bucket  
to ISO 8313-1986 with tilting ram .....7000 daN



**Lifting height** : .....13 m  
**Times** : unladen / loaded (in s)  
Lifting .....11.8/12.3  
Lowering .....8.4/7.9  
Simultaneous extension 1st and 2nd booms .....17/17  
Simultaneous retraction 1st and 2nd booms .....14/13.5  
Time unladen (in s)  
Crowd .....4.75  
Dump .....4.20



**Tyres**  
15,5/80 - 24 12 PR SGI



**Forks** (mm)  
Length .....1067  
Width x thickness .....125 X 45  
Maximum distance between forks .....1040  
Carriage rotation .....124°



**Multidisc brakes - hydraulically on 4 wheels**



**PERKINS Engine**  
Type .....1004.42/1004.4 Turbo  
Capacity ..... 4 cylindres - 4233 cm<sup>3</sup>/3990 cm<sup>3</sup>  
Power (ISO/TR 14396) : .....81.5 HP/60 kw  
at 2200 rpm Turbo : .....104 HP/76.5 kw  
Maximum torque .....290 Nm at 1400 rpm  
Turbo : .....394 Nm at 1400 rpm

Direct Injection  
Water Cooling



**Transmission** .....Torque convertor  
Electro-hydraulic reversing shift  
4 speeds forward and reverse  
Maximum travel speed .....25 km/h



**Hydraulics**  
Lifting/tilting pump  
gear type .....260 bars/166 l/mn  
Flow divider with priority to steering and brakes

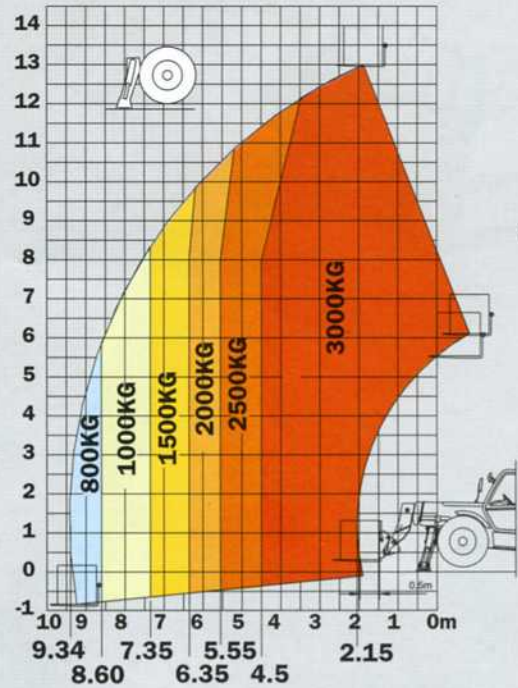


**Capacities**  
Cooling system .....24.5 l. (Turbo 26.5 l.)  
Engine oil .....10.5 l. (Turbo 11.5 l.)  
Hydraulic oil .....120 l.  
Transmission oil .....16 l.  
Fuel tank .....135 l.



**Weight unladen** (with forks) .....9530 kg  
**Overall width** .....2.36 m  
**Overall width stabilizers extended** .....2.30 m  
**Overall height** .....2.55 m  
**Turning radius** (outside wheels) .....4.00 m  
**Overall length** .....5.94 m  
**Ground clearance** .....0.45 m  
**Drawbar pull** .....7400 daN - Turbo 9200 daN

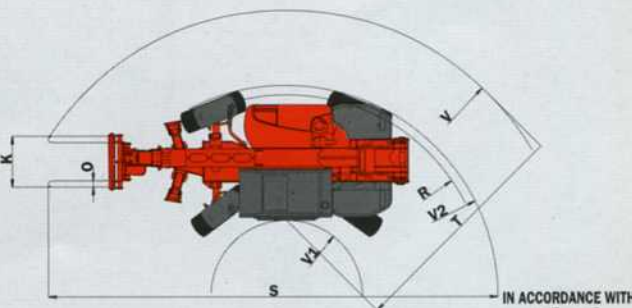
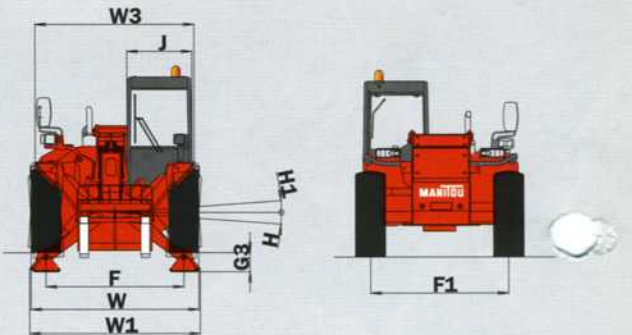
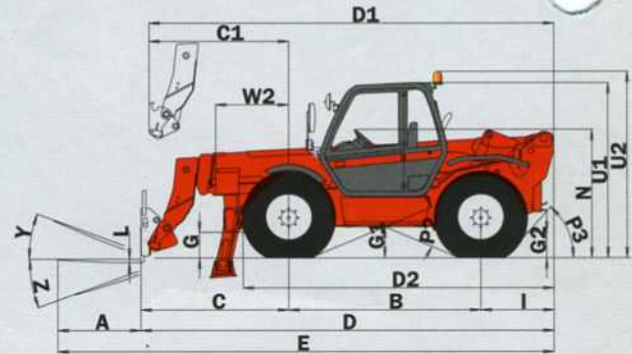
## Reach at maximum height : 1.88 m



Under  
EN 1459  
annexe B

A	1200
B	2770
C	2120
C1	2010
D	5940
D1	5830
D2	4460
E	7140
F	1970
F1	1970
G	450
G1	445
G2	450
G3	275
H	4°or7%
H1	4°or7%
I	1050
J	950
K	1040
L	45
N	1850
O	125
P2	45.5°
P3	40°
R	3640
S	8720
T	4665
U1	2550
U2	2710
V	5600
V1	1320
V2	4000
W	2360
W1	2304
W2	1172
W3	2020
Y	12°
Z	112°

mm



IN ACCORDANCE WITH



THE POWER OF IMAGINATION

MANITOU (SITE LIFT) Limited,

Ebbleke Industrial Estate, VERWOOD Dorset BH31 6BB

Telephone : (01202) 825331 - Fax : (01202) 813027

www.manitou.fr