

ES SERIES

ELECTRIC SCISSOR LIFTS



Performance

Platform Height—Elevated	18 ft 9 in.	5.72 m
Platform Capacity	500 lb	227 kg
Capacity on Platform Extension	250 lb	113 kg
Lift/Lower Time	26/30 seconds	
Maximum Drive Height	Fully Elevated	
Weight*	2,710 lb	1,229 kg
Ground Bearing Pressure	109 psi	7.66 kg/cm ²
Drive Speed—Lowered	3.0 mph	4.82 km/h
Gradeability	25%	
Turning Radius (Inside)	Zero	
Turning Radius (Outside)	69 in.	1.75 m

* Certain options or country standards will increase weight.
 1, 800 lb restricted to 20 ft., 500 lb unrestricted.
 2, 1,000 lb restricted to 26 ft., 700 lb unrestricted.

Standard Specifications

Power Source

Batteries	4x6V, 220 amp-hr	
Charger	20 Amp Automatic	
Drive	24V Electric	8hp

Hydraulic Reservoir

• Capacity		
1930ES	1.25 gal.	4.73 L
• Pump	Fixed Displacement Gear	

Tires

• Tire Size/Type	12.5 x 4 in. Non-Marking Solid
------------------	--------------------------------

Brakes

- Electric/Friction

Standard Features

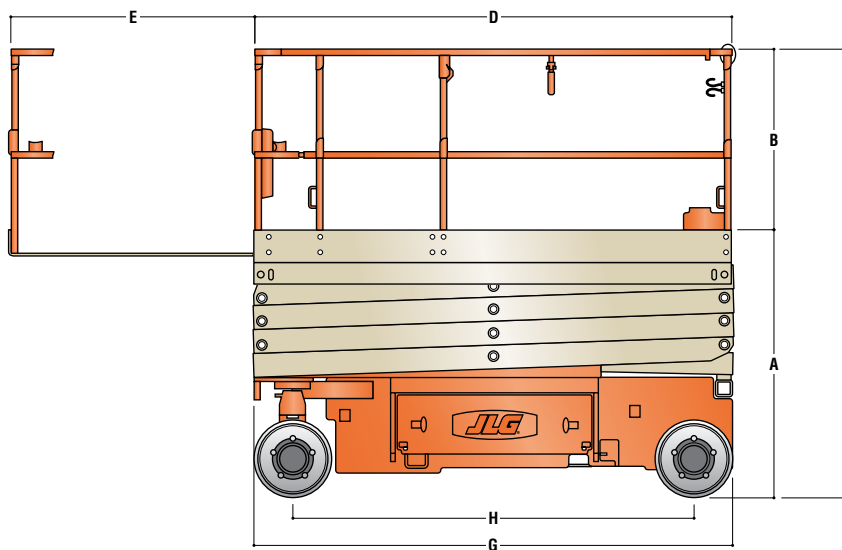
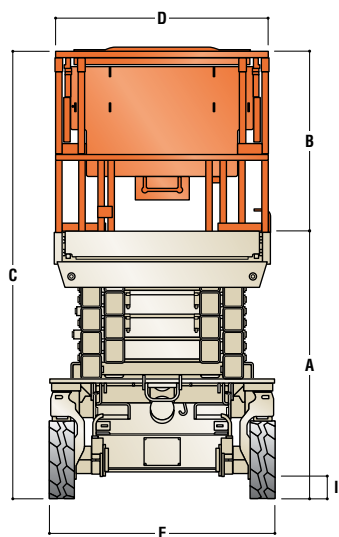
- Proportional Controls
- Industry Leading Duty Cycles
- Drywall Gate³
- Battery Condition Indicator
- Fold-Down Guard Rails⁴
- 110V-AC Receptacle in Platform
- Slide-Out Battery Trays
- Automatic Traction Control (ATC)
- All Motion Alarm
- 20 Amp Automatic SCR Charger
- Horn
- Hourmeter
- Manual Descent Pull Cable
- Tilt Alarm and Light
- Lanyard Attach Points
- Movable, Removable Platform Control
- Powder-Coated
- Console with Rail Mounting Bracket
- Nickel Plated Pins
- Lubrication Free Scissor Arm Bushings
- Scissor Maintenance Prop
- Mechanized Pothole Protection
- Machine Tie Downs
- Fork Lift Pockets
- 36 in. (91 cm) Roll-Out Deck Extension⁵
- 50 in. (1.27 m) Roll-Out Deck Extension⁶
- Four 6V, 220 Amp-Hour Deep Cycle Batteries

3. Not included on 1930ES. 4. Optional on 1930ES. 5. 1930ES, 2032ES and 2632ES. 6. 2646ES and 3246ES.

Accessories & Options

- Spring-Loaded Gate
- Flashing Amber Beacon
- 245 Amp-Hour Batteries⁷
- 900W Inverter
- Lifting Lugs
- UL® EE Rating⁸
- Platform Padding
- Platform Padding with Proximity Switches
- 1/2 in. Airline
- Quik Welder Prep Package⁹
- Nite Bright¹⁰
- 220 Amp-Hour AGM Batteries¹¹
- Special Hydraulic Oils
- Accessory Packages:
 - Electrician's Package
 - Plumber's Package
 - JLG® Workstation
 - Panel Carrier Accessory⁷
 - Pipe Rack Accessory⁷
 - Quik Welder® Package
 - Plant Maintenance Package

7. Not available on the 1930ES. 8. Not available with AGM Batteries. 9. Includes power cable for welder and fire extinguisher. 10. Includes two platform mounted worklights. 11. Not available on EE rated units.



A. Platform Height—Lowered	34 in.	0.86 m
B. Platform Railing Height		1.10 m
C. Overall Height—Rails Lowered		1.80 m
D. Platform Size	30 x 73.5 in.	0.76 x 1.87 m
E. Platform Extension	35.5 in.	0.9 m

F. Overall Width	30 in.	76 cm
G. Overall Length	6 ft 1.5 in.	1.87 m
H. Wheelbase	5 ft 3 in.	1.6 m
I. Ground Clearance	3.5 in.	8.8 cm